

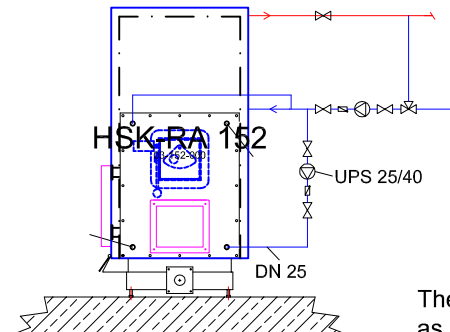
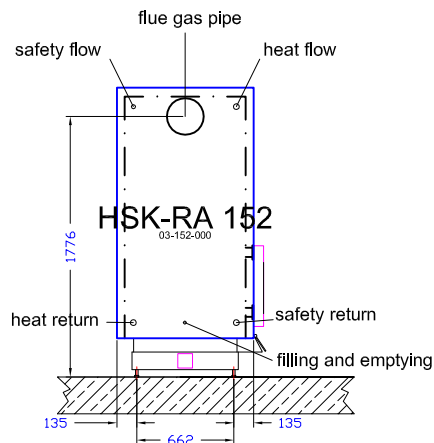
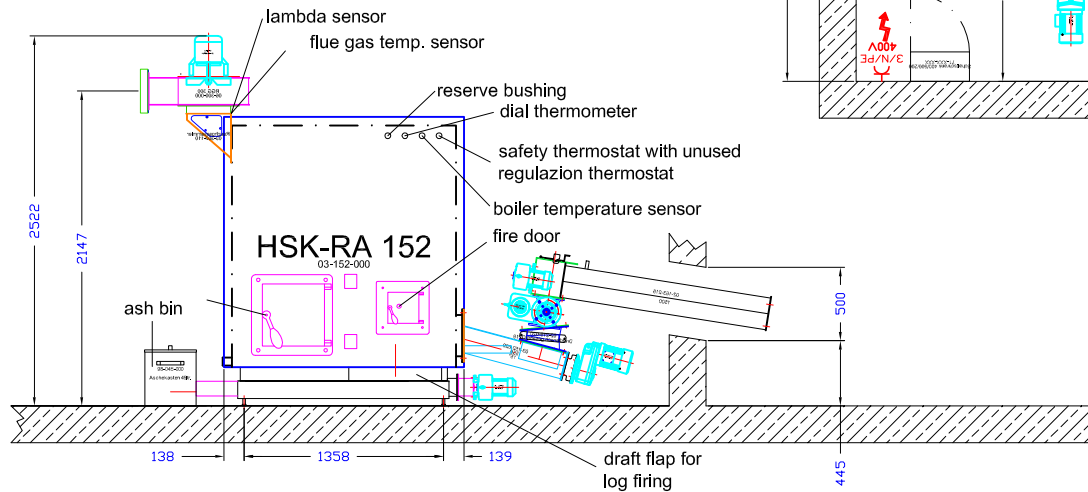
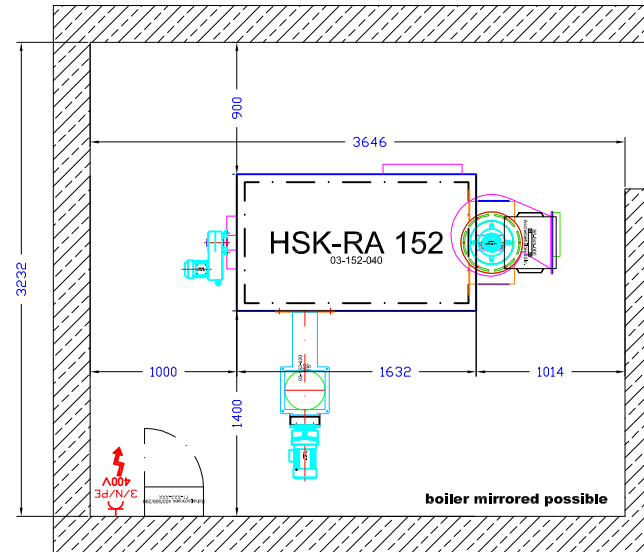
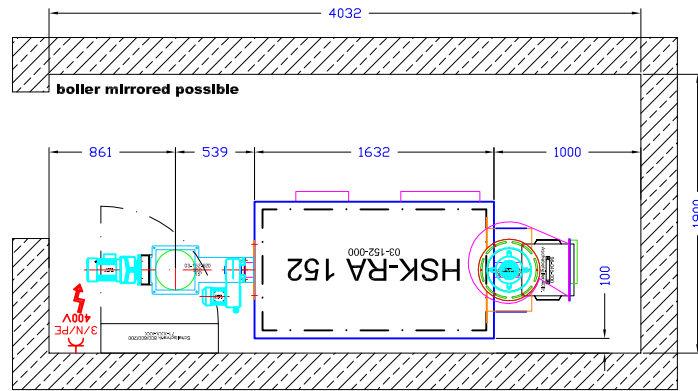
technical specifications HSK-RA 152

width (mm)	975 (832)
length (mm)	1695 (1532)
height (mm)	1862 (1736)
width with cover panel (mm)	930
length with cover panel (mm)	1635
height with cover panel (mm)	2040
water content (l)	625
weight (kg)	2140
heating surface (m ²)	15,70
heating output (kW)	0-149
rated heat output (kW)	149
CO ² (%)	10,00
efficiency (%)	>90
flue gas mass flow (kg/Sek.)	0.125000
flue gas temperature (°C)	180
flue depress (Pa)	-
flue depress with fgb (Pa)	18
flue depress with underpressure control (Pa)	10
pressure drop at dT 10K (mbar)	82,40
max. pressure (bar)	3
heat flow (Zoll)	2
heat return (Zoll)	2
safety flow (Zoll)	1 1/2
safety return (Zoll)	1 1/2
filling and draining (Zoll)	1/2
safety cooling inlet (Zoll)	-
safety cooling outlet (Zoll)	-
sensor safety valve (Zoll)	-
flue gas pipe Ø (mm)	300
min. opening for air supply (cm ²)	350
power supply	400V/16A 5polig
min. volume flow rate for return flow boot at 15K (m ³ /h)	2,87



technical specifications HSK-RA 152

Fa. Heizomat GmbH - Gerätebau / Energiesysteme - 91710 Gunzenhausen - OT Maicha 21 - 0936/9797-0



The right to any changes as may be technically or legally required is reserved.